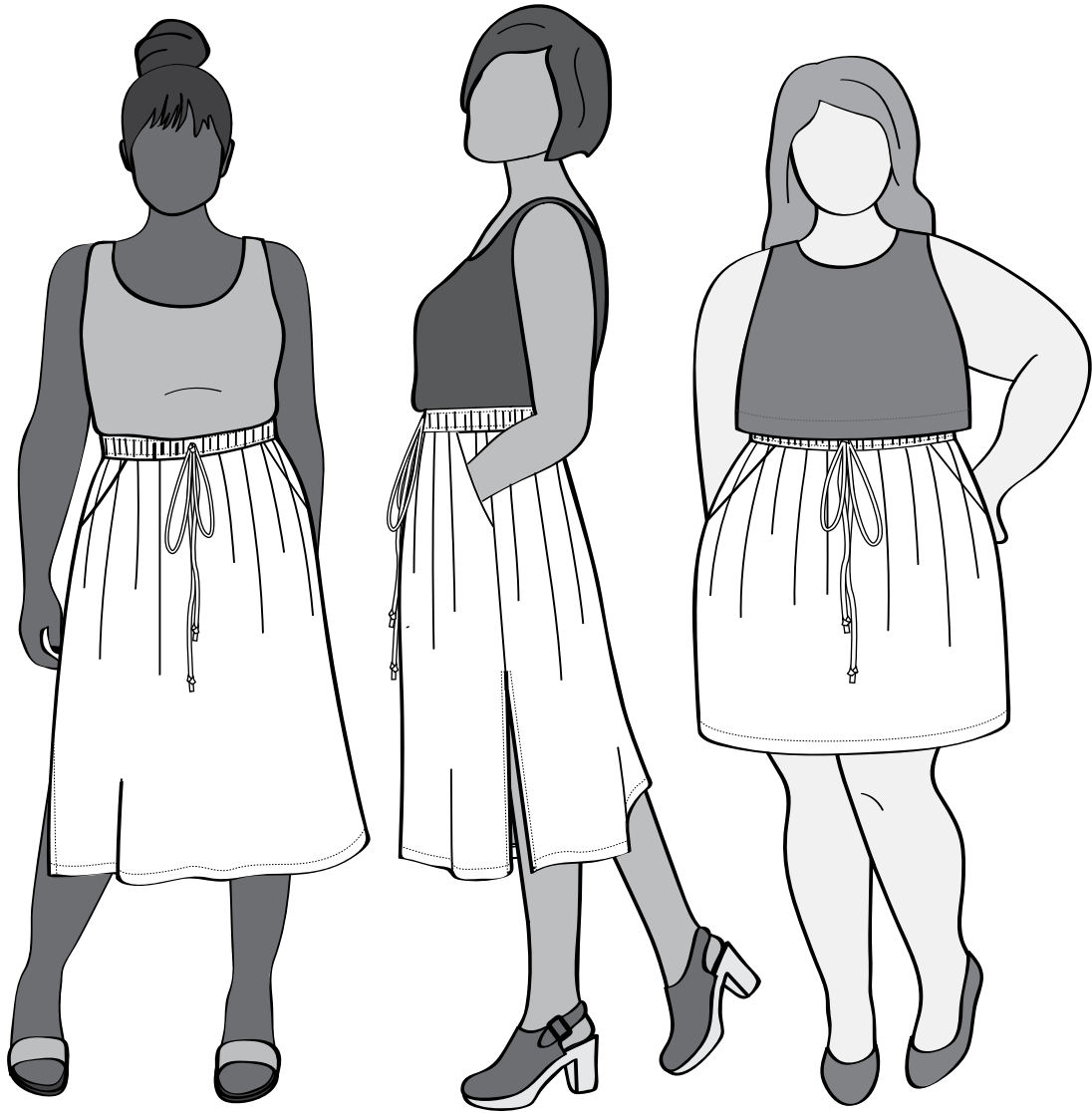


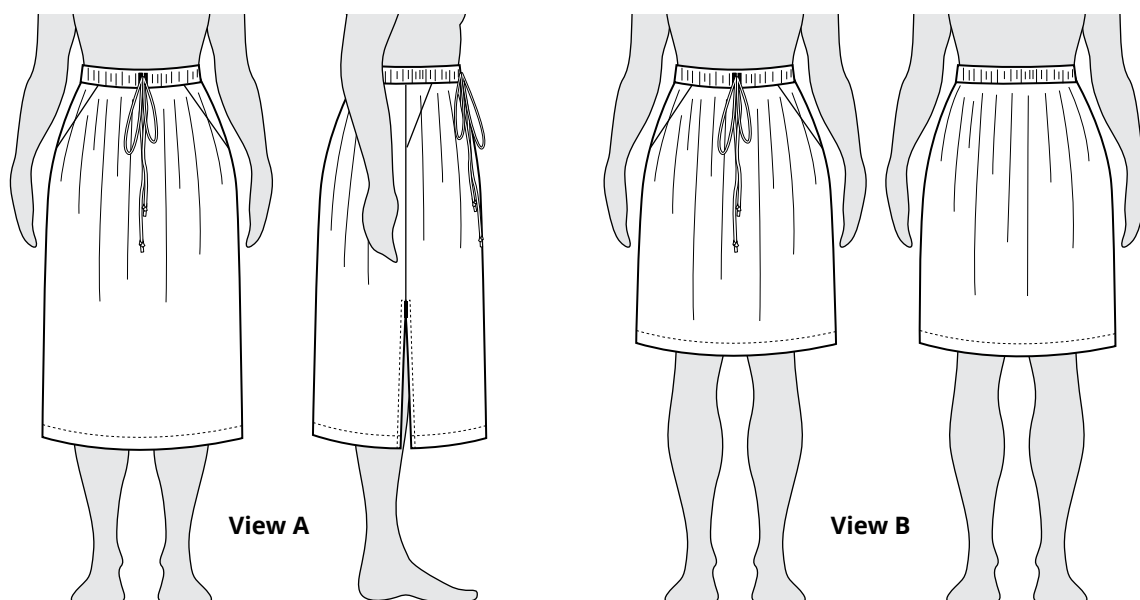
DONOVAN SKIRT



Beginner | Sizes 0-30 | Style #5001

©2019 Helen's Closet Patterns. ALL RIGHTS RESERVED. Not for resale or profit.

Helen's Closet



The Donovan Skirt is a beginner sewing pattern that teaches a variety of sewing techniques and results in a beautiful, everyday garment. This classic elastic waist skirt has the perfect amount of fullness and works in a wide variety of fabrics. It has roomy pockets, an optional drawstring, and two views. View A is a midi-length with a modern side slit and view B is a summery above-the-knee length.

Notions

- Thread
- 2" x 3" (5 cm x 8 cm) piece of fusible interfacing
- 1.5" wide elastic:
 - Sizes 0-10: 28" (71 cm)
 - Sizes 12-20: 34" (86 cm)
 - Sizes 22-30: 42" (106 cm)

Sizes

0 - 30 US

Difficulty

Beginner

Sewing Skills Learned

- Topstitching
- Understitching
- Basting
- French seams
- Finishing seams
- Inserting Elastic
- Bartacks

Fabric Recommendations

Light to medium weight woven fabrics with no stretch. Cotton (lawn, poplin, seersucker, shirting), linen, silk crepe de chine, poly crepe, and rayon/viscose challis or poplin work well. Structured fabrics will have more dramatic volume and drapier fabrics will have more fluid movement.

Size Chart

inches

	0	2	4	6	8	10	12	14
Waist	24	25	26	27	28	29	30	32
Hips	33	34	35	36	37	38.5	40	42

	16	18	20	22	24	26	28	30
Waist	34	36	38	40	42	44	46	48
Hips	44	46	48	50	52	54	56	58

centimeters

	0	2	4	6	8	10	12	14
Waist	61	63.5	66	68.5	71	73.5	76	81.5
Hips	84	86.5	89	91.5	94	98	101.5	106.5

	16	18	20	22	24	26	28	30
Waist	86.5	91.5	96.5	101.5	106.5	112	117	122
Hips	112	117	122	127	132	137	142	147.5

This pattern has been drafted for a 5'6" tall woman

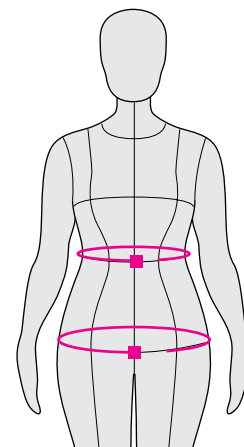
Choosing a size

Measure around your waist (where your body naturally bends in the middle) and your hips (around the fullest part of your hip). Consult the chart above. Chances are, your waist and hip measurements fall into two sizes. That is normal! **Choose a size based on your hip measurement.**

↓

20	22	24	26	28	30
38	40	42	44	46	48
48	50	52	54	56	58

In this example, this person would make a size 26.



Finished Garment Measurements

inches

	0	2	4	6	8	10	12	14	16	18	20	22	24	26	28	30
Waist	36	37	38	39	40	41.5	43	45	47	49	51.5	54	56	58	60	62
Hip	42	43	44	45	46	47.5	49	51	53	55	57.5	60	62	64	66	68

centimeters

	0	2	4	6	8	10	12	14	16	18	20	22	24	26	28	30
Waist	91.5	94	96.5	99	101.5	105.5	109	114.5	119.5	124.5	131	137	142	147.5	152.5	157.5
Hip	106.5	109	112	114.5	117	120.5	124.5	129.5	134.5	139.5	146	152.5	157.5	162.5	167.5	172.5

▲ **Length (view A):** 22" (56 cm)

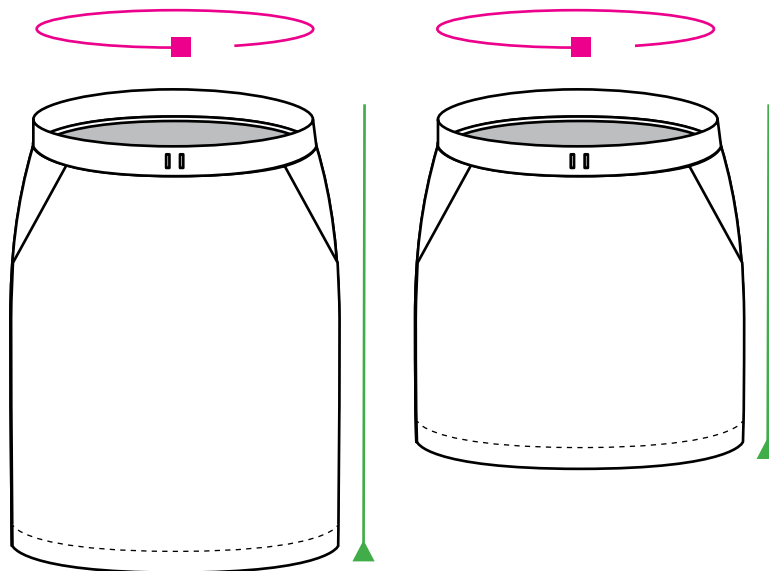
▲ **Length (view B):** 31" (79 cm)

The finished waist is measured **before** the elastic is inserted, gathering the skirt at the waist. You can choose how tight you wish to have the elastic and add a drawstring for additional waist cinching.

■
Waist is measured around the skirt, before the elastic is inserted.

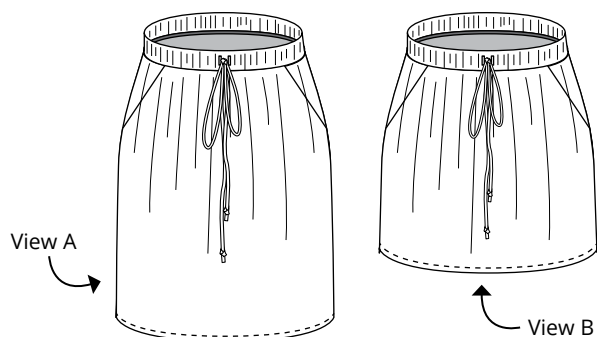
▲
Length is measured from the top of the waistband to the hem.

The side slit for view A of the Donovan Skirt is high on the leg. You can make this slit any length you prefer.



Fabric Requirements

The waistband and waist tie for this pattern can be cut along the grainline *or* on the cross grain. For larger sizes, these pieces are cut on the cross grain to conserve fabric.



View A (midi-length with side slit)

yards

	0	2	4	6	8	10	12	14	16	18	20	22	24	26	28	30
57" wide	1.6	1.6	1.6	1.6	1.6	1.7	1.7	1.7	1.7	2.4	2.4	2.4	2.4	2.4	2.4	2.4
45" wide	2.4	2.4	2.4	2.4	2.4	2.4	2.4	2.4	2.4	2.4	2.4	2.4	2.5	2.5	2.5	2.5

meters

	0	2	4	6	8	10	12	14	16	18	20	22	24	26	28	30
150 cm wide	1.5	1.5	1.5	1.5	1.5	1.5	1.6	1.6	1.6	2.2	2.2	2.2	2.2	2.2	2.2	2.2
115 cm wide	2.2	2.2	2.2	2.2	2.2	2.2	2.2	2.2	2.2	2.2	2.2	2.2	2.3	2.3	2.3	2.3

View B (above-the-knee length)

yards

	0	2	4	6	8	10	12	14	16	18	20	22	24	26	28	30
57" wide	1.4	1.4	1.4	1.4	1.4	1.4	1.4	1.4	1.4	1.9	1.9	1.9	2.1	2.1	2.1	2.1
45" wide	1.9	1.9	1.9	1.9	1.9	1.9	1.9	1.9	1.9	2.1	2.1	2.1	2.1	2.1	2.1	2.1

meters

	0	2	4	6	8	10	12	14	16	18	20	22	24	26	28	30
150 cm wide	1.3	1.3	1.3	1.3	1.3	1.3	1.3	1.3	1.3	1.7	1.7	1.7	1.9	1.9	1.9	1.9
115 cm wide	1.7	1.7	1.7	1.7	1.7	1.7	1.7	1.7	1.7	1.9	1.9	1.9	1.9	1.9	1.9	1.9