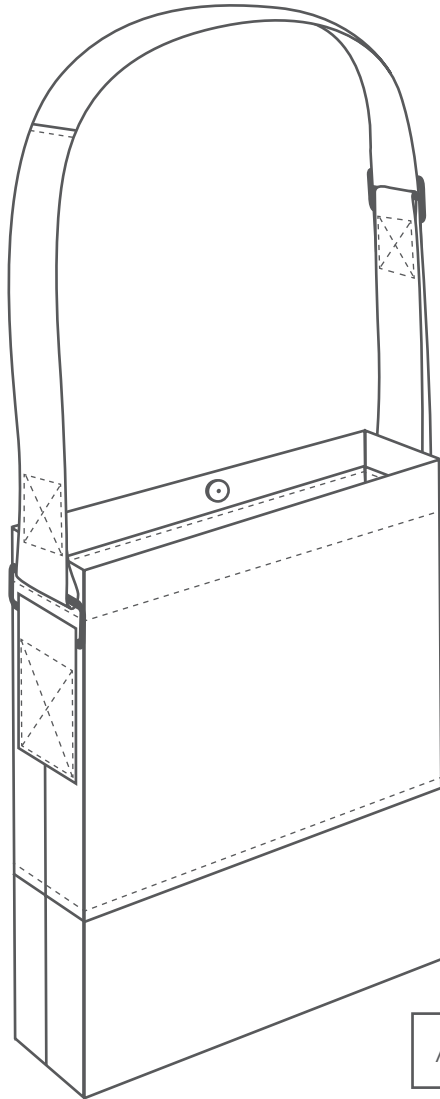
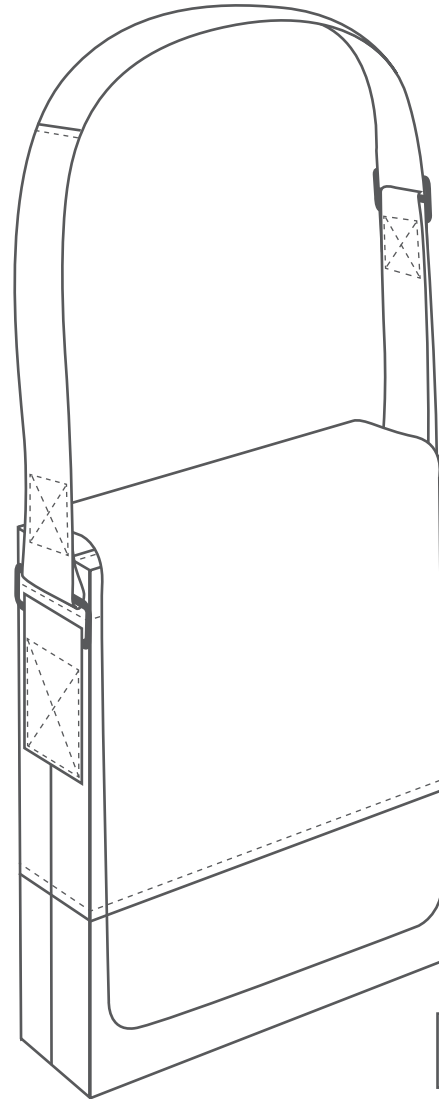


HELEN'S CLOSET

Granger Book Bag



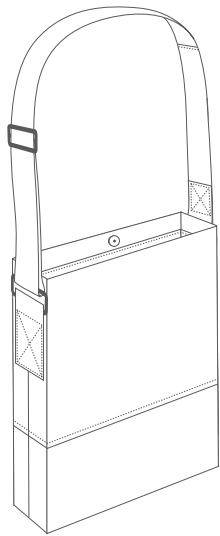
A



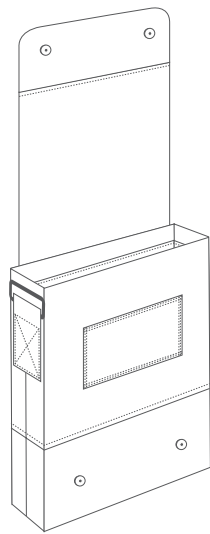
B

### DESCRIPTION

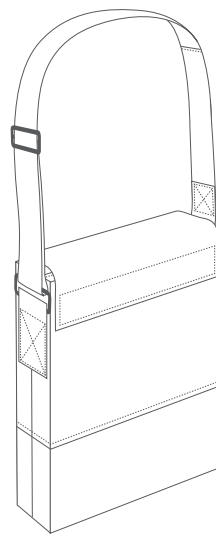
The Granger Book Bag is a versatile cross body bag. View A is an open bag with a snap closure. View B has a flap with two snap closures. Both versions feature a two-part outer bag construction which creates interesting color blocking and fabric mixing opportunities. The inside of the bag has a large zipper pocket on one side and a pouch pocket on the other.



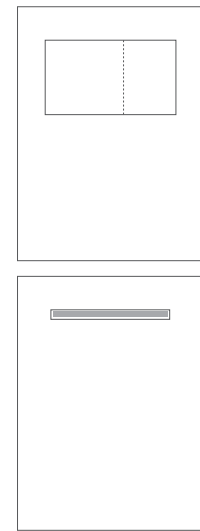
VIEW A  
BACK



VIEW B  
UNDER FLAP



VIEW B  
BACK



LINING  
FRONT & BACK

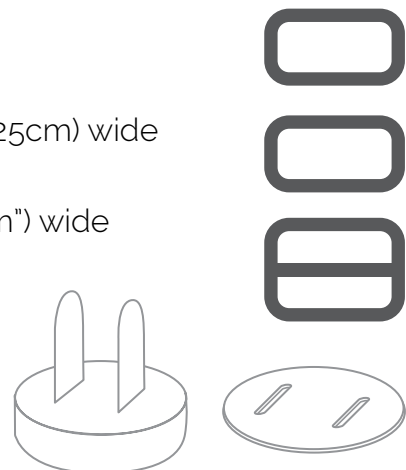
### FABRIC & INTERFACING

The ideal outer bag fabric is canvas or similarly weighted fabric such as denim. The lining fabric should be a quilting cotton or cotton broadcloth. Similarly weighted woven fabrics are also suitable. The interfacing weight is entirely up to you and depends on how stiff you would like your bag to be. I used Pellon 808 fusible for all of my samples, it is stiff enough that the bags can stand up on their own.

### NOTIONS

Both bags require:

- One 8" non-separating zipper
- Two rectangle rings that can accommodate a 1.65" (4.25cm) wide strap. It should fit snugly up against the sides.
- One strap slider that can accommodate a 1.65" (4.25cm") wide strap. It should fit snugly up against the sides.
- Magnetic snaps - one for view A, two for view B.



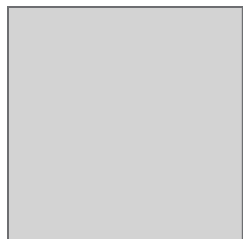
**FABRIC GUIDE**

The Granger Bag is made from three different fabrics. You can make it using just two if you like. Below is a guide to the bag and which fabrics are used where.



**BAG TOP**

- Bag top
- Tabs
- Strap Part A
- Inside Pouch Pocket
- Flap Top (view B)



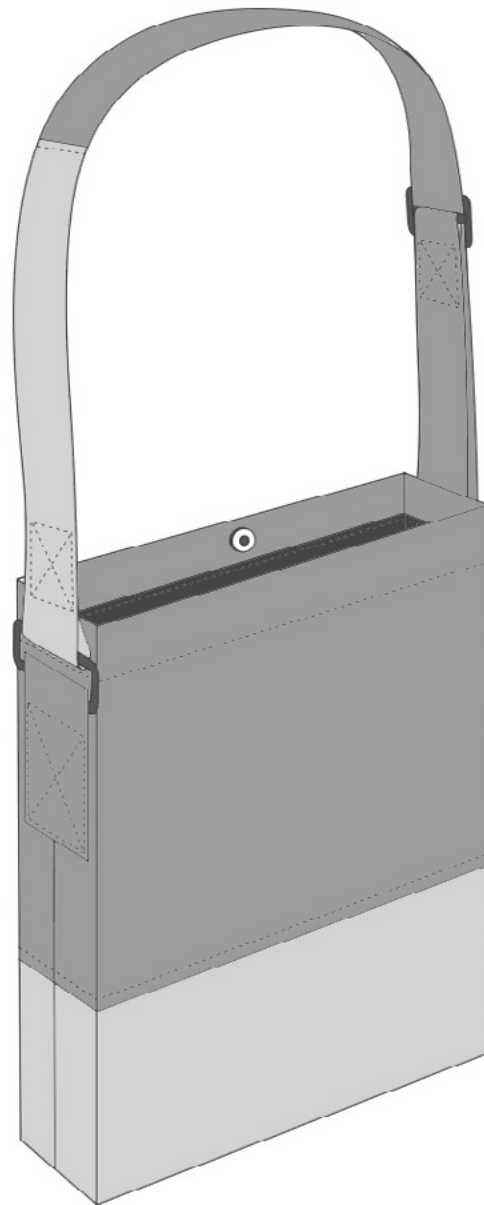
**BAG BOTTOM**

- Bag Bottom
- Strap Part B
- Inside Zipper Pocket
- Flap Bottom (view B)



**LINING**

- Bag lining
- Pouch Pocket Lining



**FABRIC REQUIREMENTS**

The fabric requirements below are for both 45" (115cm) and 60" (150cm) wide fabric.

VIEW A				
	Top	Bottom	Lining	Interfacing (20" wide)
With Fabric Strap	1.2 meters 1.3 yards	0.7 meters 0.8 yards	0.6 meters 0.7 yards	1.1 meters 1.2 yards
No Fabric Strap*	0.5 meters 0.6 yards	0.5 meters 0.6 yards	0.6 meters 0.7 yards	1.1 meters 1.2 yards
Alternative Strap Cut*	0.8 meters 0.9 yards	0.6 meters 0.7 yards	0.6 meters 0.7 yards	1.1 meters 1.2 yards

VIEW B				
	Top	Bottom	Lining	Interfacing (20" wide)
With Fabric Strap	1.2 meters 1.3 yards	0.8 meters 0.9 yards	0.6 meters 0.7 yards	1.9 meters 2 yards
No Fabric Strap*	0.8 meters 0.9 yards	0.6 meters 0.7 yards	0.6 meters 0.7 yards	1.9 meters 2 yards
Alternative Strap Cut*	1 meters 1.1 yards	0.5 meters 0.6 yards	0.6 meters 0.7 yards	1.9 meters 2 yards

\*You can make the bag strap from webbing, which will effect the amount of outer bag fabric required.

\*\*If you are able to cut your strap fabric perpendicular to the grain line, you require less fabric for the outer bag. This is often the case with solid colored canvas.

**Finished dimensions: 16" tall by 12" wide by 2" deep.**